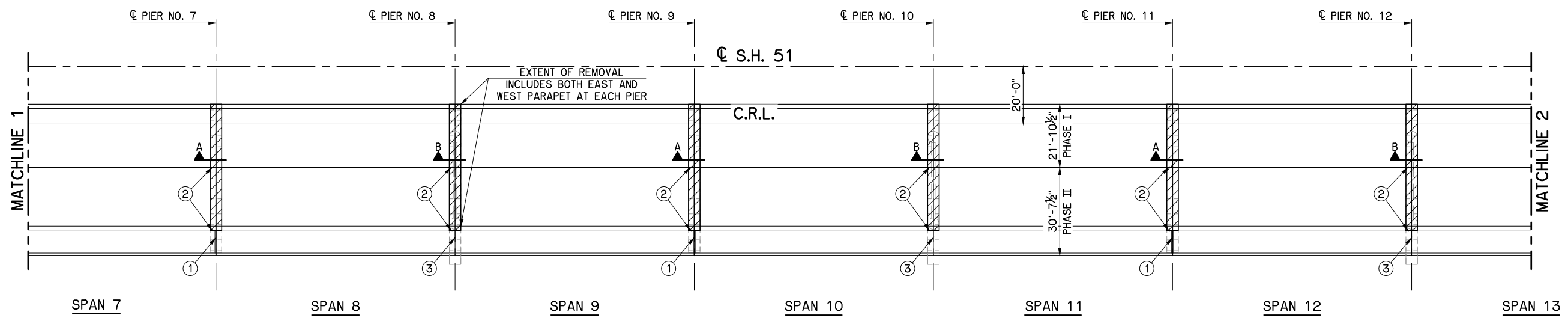
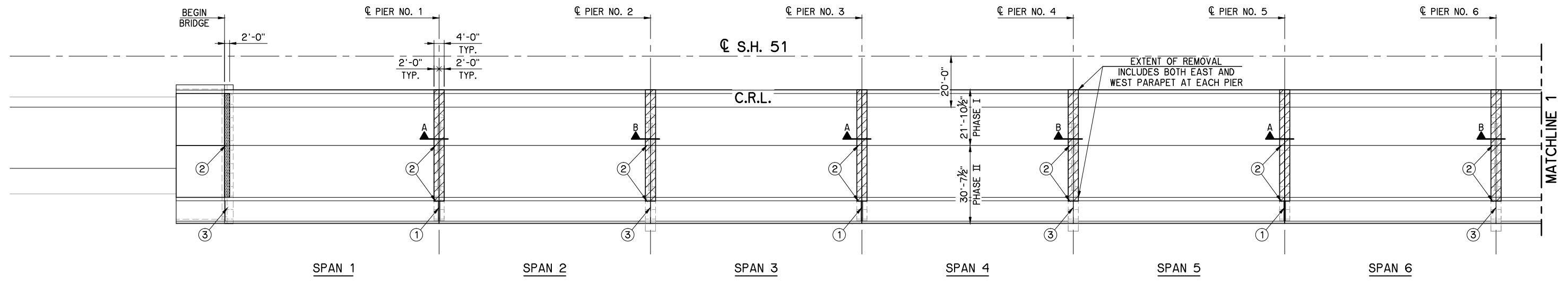


REVISIONS		
REV. NO.	DESCRIPTION	DATE

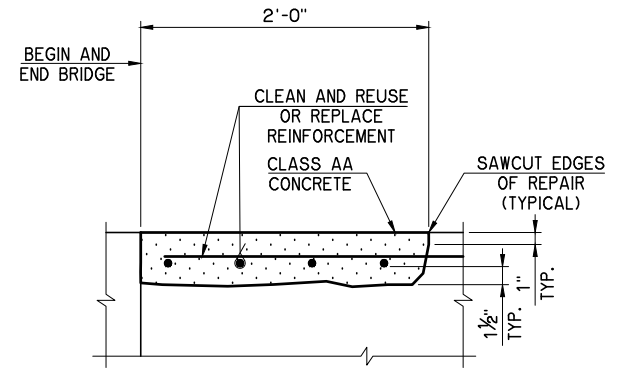
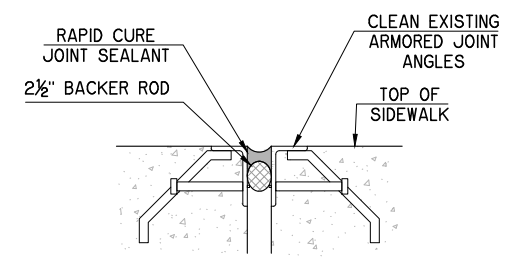


DECK REPAIR PLAN

LEGEND

- CLASS B BRIDGE DECK REPAIR
- CLASS C BRIDGE DECK REPAIR

- NOTES:**
FOR SECTIONS A AND B, SEE SHEET 31.
- ① REPLACE JOINT SEALER IN ARMORED JOINTS IN SIDEWALK WITH RAPID CURE JOINT SEALANT. SEE SIDEWALK EXPANSION JOINT DETAIL ON THIS SHEET.
 - ② SEAL CONSTRUCTION JOINT BETWEEN PHASES AT EACH PIER AND ABUTMENT, TRANSVERSE JOINTS BETWEEN NEW AND EXISTING CONCRETE EITHER SIDE OF EACH PIER AND BETWEEN THE SIDEWALK AND THE NEW DECK AT EACH PIER WITH HIGH MOLECULAR WEIGHT METHACRYLATE.
 - ③ SAW AND SEAL EXISTING CONSTRUCTION JOINTS IN SIDEWALK. INCLUDE COST OF LABOR AND MATERIALS IN OTHER ITEMS OF WORK.



SH 51 NB OVER ARKANSAS RIVER		TULSA COUNTY		Design	ADT
DECK REPAIR PLAN SHEET 1 OF 2				Detail	FEZ
				Check	ADT
STATE OF OKLAHOMA				WHITE ENGINEERING ASSOCIATES	
				DEPARTMENT OF TRANSPORTATION	

I:\Active\1626\Drawings\29 Deck Repair Plan 1 of 2.dwg, 6/12/2017 11:27:50 AM, Fred